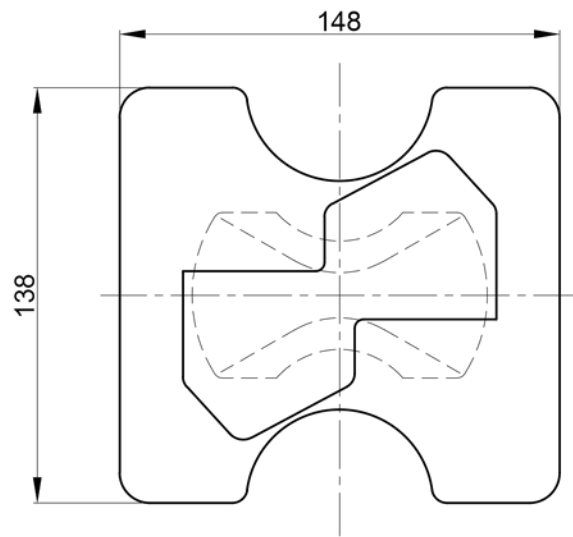
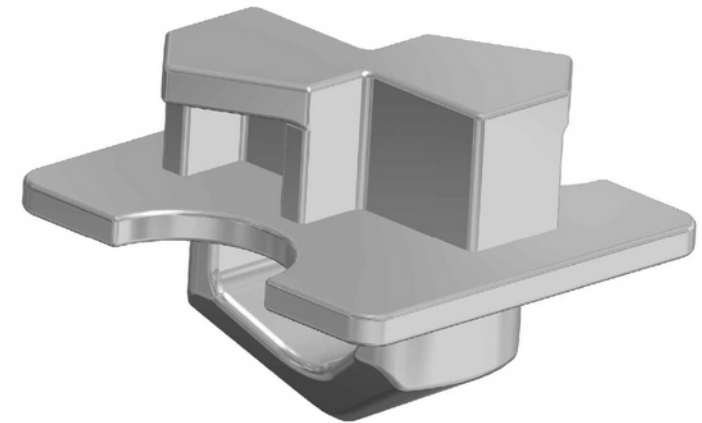
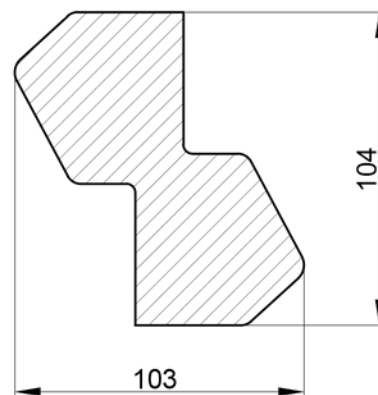


LOADS		SHEAR[kN]
BREAKING LOAD	BL	420
PROOF LOAD	PL	263
SAFE WORKING LOAD	SWL	210

TOTAL WEIGHT: 3,45 kg



A-A



DEPOT STACKER

IF-91

NAVACQS SEAL SUPPLIERS B.V.

Albert Plesmanweg 107 A
3088 GC Rotterdam
Nederland



+31(0)10-495 0000
sales@navacqs.nl
sales@navacqs.com