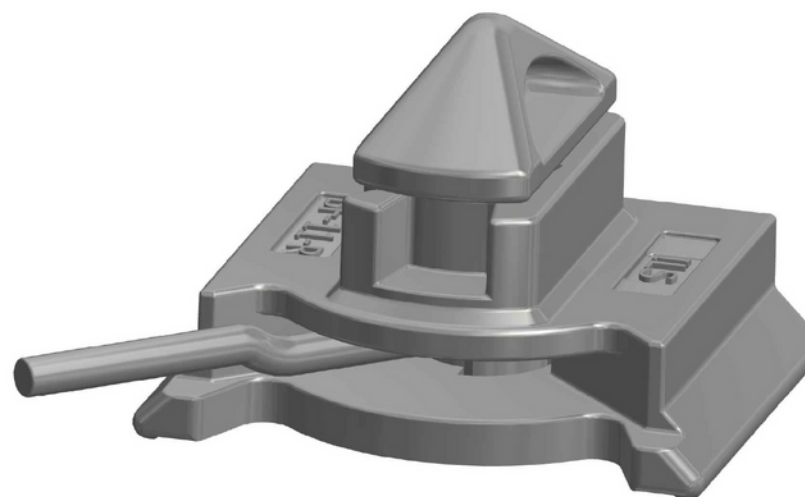


LOADS		SHEAR[kN]	TENS[kN]
BREAKING LOAD	BL	420	500
PROOF LOAD	PL	263	313
SAFE WORKING LOAD	SWL	210	250

TOTAL WEIGHT: 6,1 kg



LONGITUDINAL SLIDING DOVETAIL TWISTLOCK | BF-11-R

**NAVACQS SEAL SUPPLIERS B.V.**

Albert Plesmanweg 107 A  
3088 GC Rotterdam  
Nederland



+31(0)10-495 0000  
sales@navacqs.nl  
sales@navacqs.com